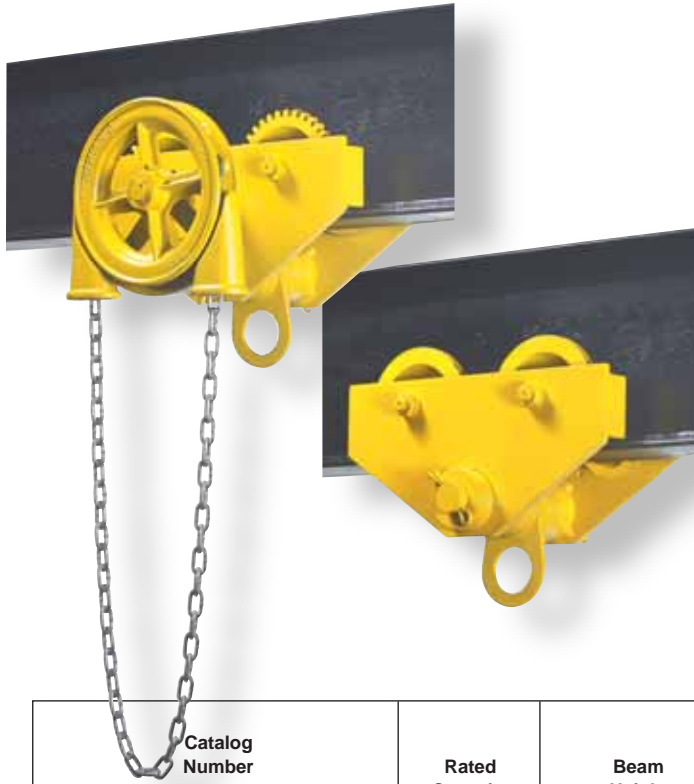




AMERICA'S FIRST NAME IN INDUSTRIAL LIFTING

# HAND PROPELLED OVERHEAD I-BEAM TROLLEYS



1/4 through 12 ton capacity trolleys have universal design with dual tread wheels for standard and wide flange beams, and are adjustable to fit most standard flange widths.

1/4 through 3 ton trolleys feature lifetime lubricated precision ball bearings.

In the 4 ton through 25 ton capacities, each trolley is equipped with eight duo-sealed Timken tapered roller bearings that absorb the radial and thrust loads exerted in these higher capacities, and reduce manual effort and maintenance to a minimum.

Heavy rolled steel side plates are shaped to give these trolleys stability and rigidity. They extend beyond the wheels to act as bumpers. Steel equalizing pins connect the two halves of each trolley, providing load equalization and smooth operation. All units are equipped with drop stops.

Trolley wheels are long wearing alloy cast iron. Wheel treads are machined to provide the smoothest possible rolling motion. Steel axles are rigidly supported in the side frame. Steel trolley blocks reinforce the side plates as well as the equalizing pin.

| Catalog Number |                | Rated Capacity In Tons | Beam Height Inches | Minimum Flange Width Inches | Smallest Radius Curve Inches | Approx. Net Weight, Lbs. |                  |
|----------------|----------------|------------------------|--------------------|-----------------------------|------------------------------|--------------------------|------------------|
| Plain Trolley  | Geared Trolley |                        |                    |                             |                              | Plain Trolley            | † Geared Trolley |
| 1641-0025      | 1642-0025      | 1/4                    | 4 - 12             | 2.66 - 5.00                 | 20                           | 23                       | 38               |
| 1641-0050      | 1642-0050      | 1/2                    | 4 - 12             | 2.66 - 5.00                 | 20                           | 23                       | 38               |
| 1641-0100      | 1642-0100      | 1                      | 5 - 12             | 3.00 - 6.00                 | 24                           | 43                       | 62               |
| 1641-0150      | 1642-0150      | 1 1/2                  | 5 - 12             | 3.00 - 6.00                 | 24                           | 45                       | 65               |
| 1641-0200      | 1642-0200      | 2                      | 6 - 18             | 3.33 - 6.25                 | 30                           | 67                       | 90               |
| 1641-0300      | 1642-0300      | 3                      | 6 - 18             | 3.33 - 6.00                 | 30                           | 70                       | 93               |
| 1641-0400      | 1642-0400      | 4                      | 8 - 24             | 4.00 - 7.00                 | 36                           | 155                      | 184              |
| 1641-0500      | 1642-0500      | 5                      | 8 - 24             | 4.00 - 7.00                 | 36                           | 160                      | 188              |
| 1641-0600      | 1642-0600      | 6                      | 8 - 24             | 4.00 - 7.00                 | 36                           | 160                      | 188              |
| 1641-0800      | 1642-0800      | 8                      | 10 - 24            | 4.62 - 8.00                 | 60                           | 300                      | 347              |
| 1641-1000      | 1642-1000      | 10                     | 10 - 24            | 4.62 - 8.00                 | 60                           | 310                      | 360              |
| 1641-1200      | 1642-1200      | 12                     | 10 - 24            | 4.62 - 8.00                 | 60                           | 310                      | 360              |
| 1631-1600      | 1632-1600      | 16                     | 18 - 24            | 6.00 - 8.00                 | 96                           | 800                      | 895              |
| 1631-2000      | 1632-2000      | 20                     | 18 - 24            | 6.00 - 8.00                 | 96                           | 845                      | 955              |
| 1631-2500      | 1632-2500      | 25                     | 18 - 24            | 6.00 - 8.00                 | 120                          | 1045                     | 1200             |

30, 40, 50 Ton trolleys are available as tandem Construction - Consult factory.

NOTE: For wide flange beam adaptation, patented track or for beams larger than standard - consult factory.

Specify curve on order. Wheels are modified to negotiate curves.

**8 Ft. standard hand chain drop on geared trolley.**

† Weight less hand chain.



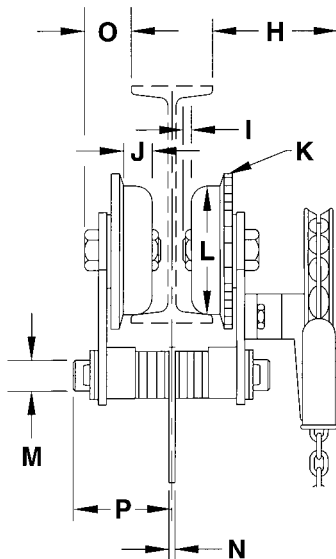
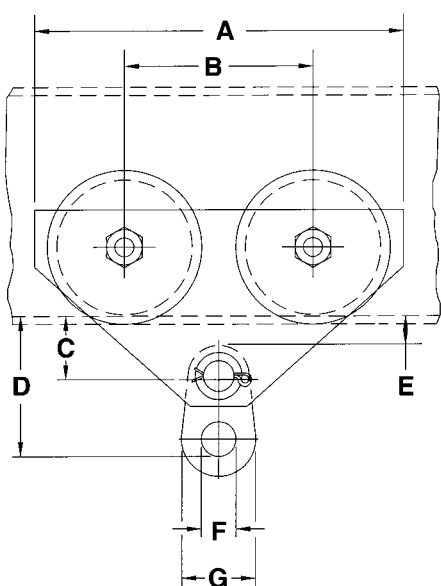
414 West Broadway Ave.  
P.O. Box 769  
Muskegon, MI 49443  
Ph: 866-805-2962  
Fx: 800-742-9270



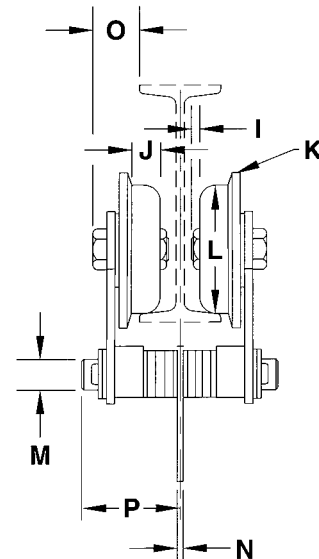
# CLEARANCE DIMENSIONS

All dimensions are in inches

## FULLY SEALED PRECISION BEARING TROLLEYS MACHINED WHEEL TREADS



**GEARED**



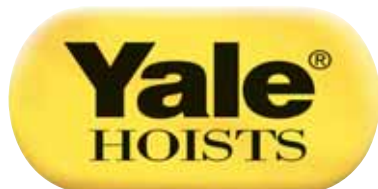
**PLAIN**

| Cap. (Tons) | A      | B      | C     | D      | E     | F     | G     | H      | I    | J       | K      | L      | M     | N     | O     | P     |
|-------------|--------|--------|-------|--------|-------|-------|-------|--------|------|---------|--------|--------|-------|-------|-------|-------|
| 1/4         | 11 1/2 | 6      | 1 7/8 | 4 7/8  | 7/8   | 1 3/4 | 2 3/4 | 6      | —    | 7/8     | 4      | 2 7/8  | 1     | 1/4   | 2     | 4 1/8 |
| 1/2         | 11 1/2 | 6      | 1 7/8 | 4 7/8  | 7/8   | 1 3/4 | 2 3/4 | 6      | —    | 7/8     | 4      | 2 7/8  | 1     | 1/4   | 2     | 4 1/8 |
| 1           | 13 1/4 | 6 3/4  | 2 1/4 | 5 3/8  | 1     | 1 3/4 | 3     | 6 1/8  | —    | 1 1/8   | 5      | 3 3/4  | 1 1/4 | 1/4   | 13/4  | 4 3/4 |
| 1 1/2       | 13 1/4 | 6 3/4  | 2 1/4 | 5 3/8  | 1     | 2     | 3 1/4 | 6 1/8  | —    | 1 1/8   | 5      | 3 3/4  | 1 1/4 | 3/8   | 13/4  | 4 3/4 |
| 2           | 15 5/8 | 7 5/8  | 2 5/8 | 6 3/4  | 1 1/8 | 2 1/8 | 3 5/8 | 6 1/8  | —    | 1 1/8   | 6      | 4 1/2  | 1 1/2 | 3/8   | 2 1/8 | 5 1/4 |
| 3           | 15 5/8 | 7 5/8  | 2 5/8 | 6 7/8  | 1 1/8 | 2 1/4 | 4     | 6 1/8  | —    | 1 1/8   | 6      | 4 1/2  | 1 1/2 | 1/2   | 2 1/8 | 5 1/4 |
| 4           | 18 3/4 | 8 1/2  | 3 1/4 | 8 3/8  | 1 1/4 | 2 3/4 | 4 3/4 | 8 1/8  | 1/8  | 1 3/8   | 8      | 6 3/8  | 2     | 5/8   | 2 5/8 | 6 1/8 |
| 5           | 18 3/4 | 8 1/2  | 3 1/4 | 8 5/8  | 1 1/4 | 3     | 5 1/2 | 8 1/8  | 1/8  | 1 3/8   | 8      | 6 3/8  | 2     | 5/8   | 2 5/8 | 6 1/8 |
| 6           | 18 3/4 | 8 1/2  | 3 1/4 | 8 5/8  | 1 1/4 | 3     | 5 1/2 | 8 1/8  | 1/8  | 1 3/8   | 8      | 6 3/8  | 2     | 5/8   | 2 5/8 | 6 1/8 |
| 8           | 23 5/8 | 10 5/8 | 3 7/8 | 10 5/8 | 1 3/8 | 3 1/2 | 6 1/2 | 9      | 1/8  | 1 11/16 | 10     | 8 1/4  | 2 1/2 | 3/4   | 3 1/4 | 6 7/8 |
| 10          | 23 5/8 | 10 5/8 | 3 7/8 | 11 1/8 | 1 3/8 | 4 1/2 | 8     | 9      | 1/8  | 1 11/16 | 10     | 8 1/4  | 2 1/2 | 1     | 3 1/4 | 6 7/8 |
| 12          | 23 5/8 | 10 5/8 | 3 7/8 | 11 1/8 | 1 3/8 | 4 1/2 | 8     | 9      | 1/8  | 1 11/16 | 10     | 8 1/4  | 2 1/2 | 1     | 3 1/4 | 6 7/8 |
| 16          | 28 1/4 | 14     | 5 7/8 | 15 1/4 | 2 1/2 | 4     | 9     | 14 1/2 | 5/16 | 2       | 13 1/2 | 11 3/4 | 3 1/4 | 1 1/2 | 7     | 8     |
| 20          | 28 1/4 | 14     | 5 7/8 | 16 5/8 | 2 1/2 | 4     | 10    | 14 1/2 | 5/16 | 2       | 13 1/2 | 11 3/4 | 3 1/4 | 1 3/4 | 7     | 8 1/4 |
| 25          | 28 1/4 | 14     | 5 7/8 | 16 3/4 | 2 1/8 | 4     | 10    | 14 1/2 | 5/16 | 2       | 13 1/2 | 11 3/4 | 3 1/4 | 1 3/4 | 7     | 8 1/4 |

NOTE: 30, 40 & 50 ton dimensions furnished on application.

16 - 25 ton units are supplied with canted side plates for operation on standard American I-Beams - consult factory for other beams.

All dimensions are in inches.



414 West Broadway Ave.  
P.O. Box 769  
Muskegon, MI 49443  
Ph: 866-805-2962  
Fx: 800-742-9270

### **WARNING**

**Overloading and improper use can result in injury.**

To avoid injury:

- Do not exceed working load limit, load rating or capacity.
- Do not use to lift people or loads over people.
- Use only alloy chain and attachments for overhead lifting.
- Read and follow all instructions.
- This equipment for manual operation only.